
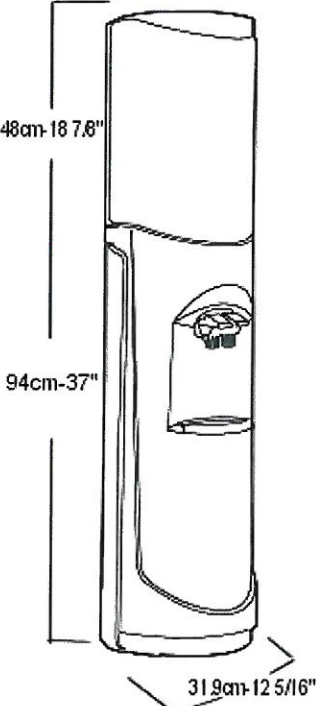


Close | Fermer | Cierra



BALTIK





Models
Cook & Cold / Hot & Cold

Option
Hot water
Universal cup dispenser

Voltage
120V / 60Hz 220V / 50Hz

Amps
120V:1.4A, 220V:0.8A (C&C)
120V:4.2A, 220V:2.5A (H&C)

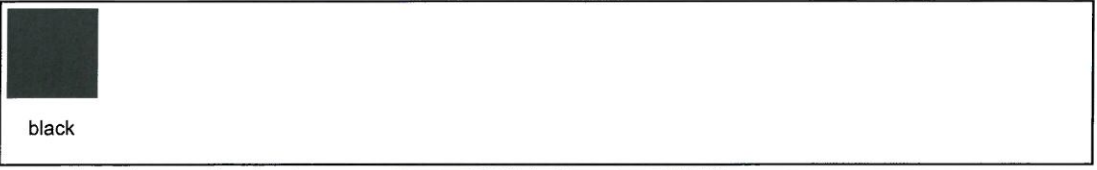
Refrigerant
R-134a

Weight
15.55 kgs - 34.28 lbs (C&C)
16 kgs - 37.04 lbs (H&C)
1.2 kg - 2 1/2 lbs (Bottle-cover)

Cooler



Accessories



| Capacity | | |
|----------|-------------------|------------------|
| - | Cook & Cold Water | Hot & Cold Water |

| Ambient Temperature | | Water 10°C(50°F) | | Cups/Hour 85g.(3oz) | Cook | | Water 10°C(50°F) | | Cups/Hour 85g.(3oz) | Water 74°C(165°F) | | Cups/Hour 170g.(6oz) |
|---------------------|-----|------------------|-------|---------------------|--------|-------|------------------|-------|---------------------|-------------------|-------|----------------------|
| °C | °F | L.P.H | G.P.H | - | L.P.H. | G.P.H | L.P.H | G.P.H | - | L.P.H | G.P.H | - |
| 21 | 70 | 6.7 | 1.8 | 79 | 18 | 5 | 3.8 | 1.0 | 45 | 7.7 | 2.0 | 45 |
| 27 | 80 | 4.7 | 1.2 | 55 | 18 | 5 | 1.8 | 0.5 | 21 | 8.0 | 2.1 | 47 |
| 32 | 90 | 2.6 | 0.7 | 31 | 18 | 5 | 1.1 | 0.3 | 13 | 8.5 | 2.2 | 50 |
| 38 | 100 | 1.8 | 0.5 | 21 | 18 | 5 | 0.7 | 0.2 | 8 | 9.4 | 2.5 | 55 |

